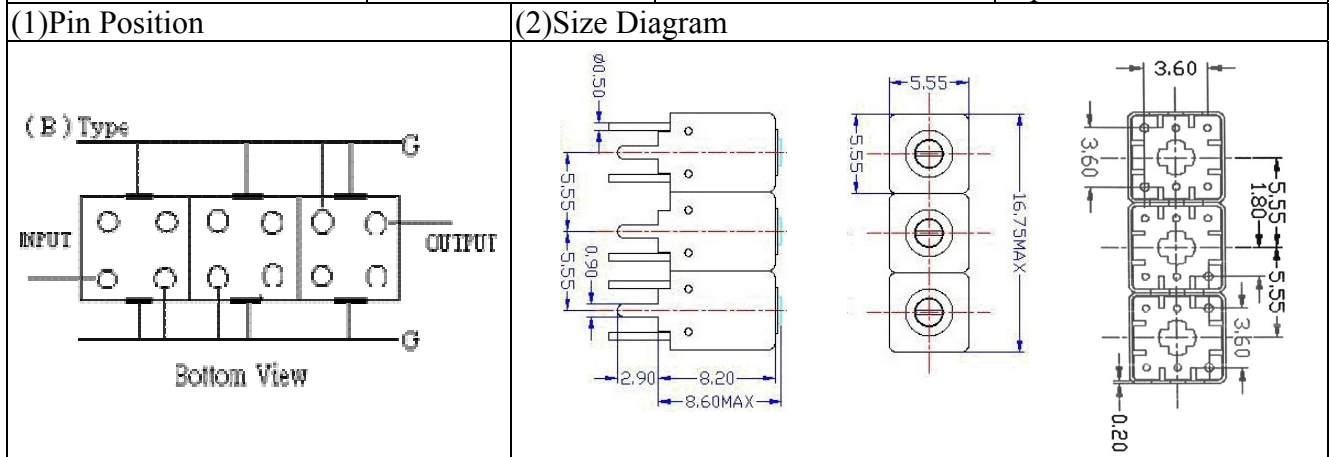
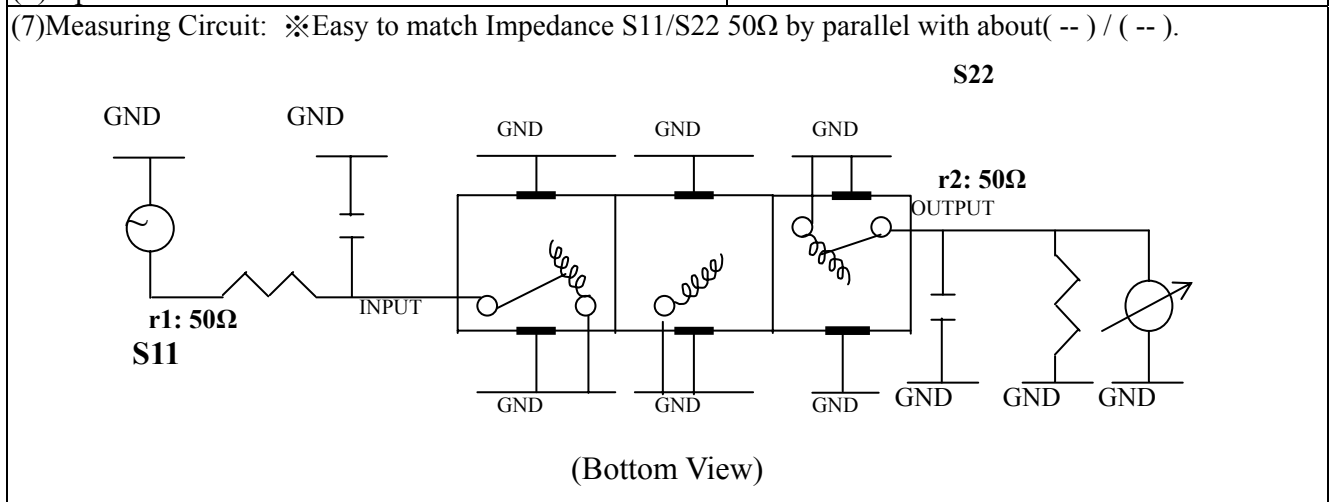


VHF UHF Helical Filter Specification Sheet

Customer Name		Temwell's Part No.	TTR3751B-925M
Approval No. /dated		Temwell's Print Name.	3751B 925M
Work Instruction No.	201109029A	Date	Sep.28.2011



(3) Electric Character		Item	Specify
Center Freq.(Fo) +/- 0.5 %			925 MHz
Insertion Loss		Typ.	4.0 dB
-3 dB Bandwidth		Typ.	24 MHz
Sensitivity (Attenuation)	Fo - 50 MHz	Typ.	25 dBc
	Fo + 50 MHz	Typ.	18 dBc
	Fo - ()MHz	Typ.	dBc
	Fo +()MHz	Typ.	dBc
Return Loss		Min.	12 dB
Ripple			< 1 dB
Impedance			In / Out : 50 Ω
(4) Torque for Tuning Screw			> 60gf · cm
(5) Temperature Condition:			
Operating Temperature			0°C ~ +60°C
Storage Temperature			-20°C ~ +70°C
(6) Input Power			> 0.5 Watt



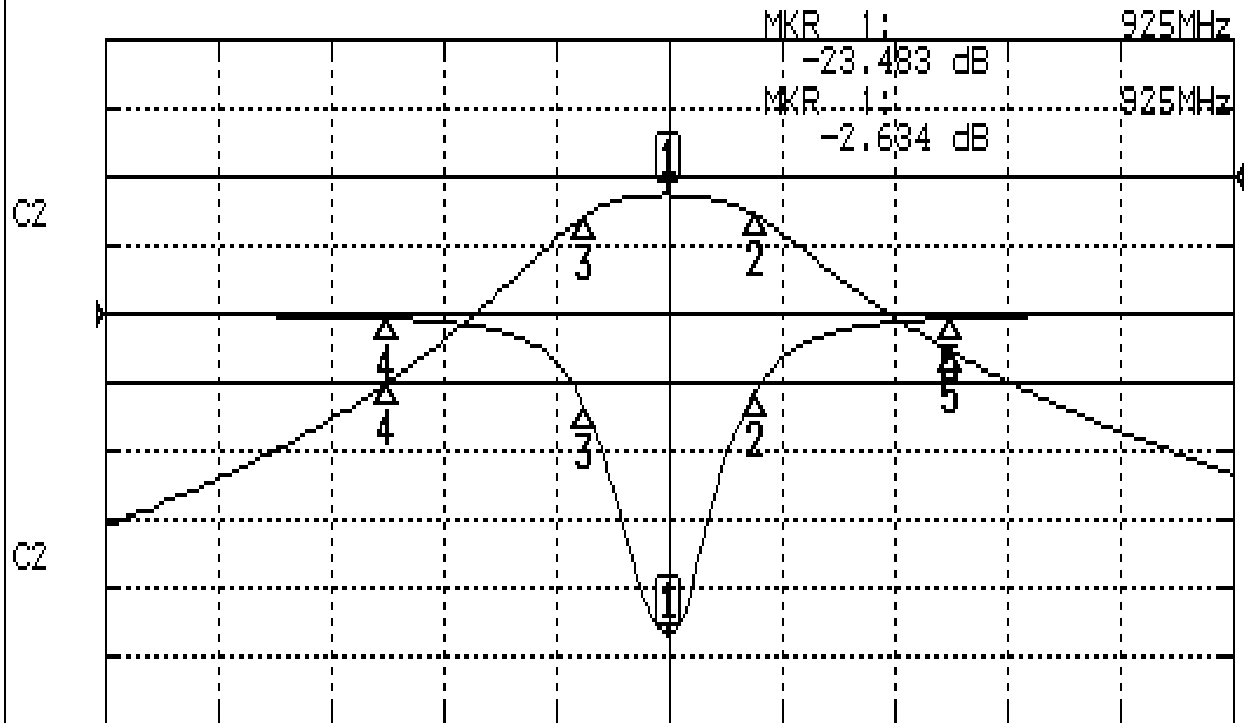
Approval C.Y.Chang	Supervisor C.K.Chang	Designer M.Y.Kang	Aperture size 5R3S(3.8*4.2)(4.28) 5HW024RB3
-----------------------	-------------------------	----------------------	---

TEMWELL CORPORATION

Performance-TTR3751B-925M

201109029A

CH1 S11 LOG MAG REF 0.000 dB 5.000 dB/
CH2 S21 LOG MAG REF 0.000 dB 10.000 dB/



CENTER 925MHz

[10.00 dBm]

SPAN 200MHz

CH1 MARKER LIST

1:	925.000MHz	-23.483 dB
2:	940.333MHz	-15.673 dB
3:	910.000MHz	-16.654 dB
4:	875.000MHz	-0.347 dB
5:	975.000MHz	-0.332 dB

CH2 MARKER LIST

1:	925.000MHz	-2.634 dB
2:	940.333MHz	-15.673 dB
3:	910.000MHz	-15.694 dB
4:	875.000MHz	-30.037 dB
5:	975.000MHz	-25.524 dB