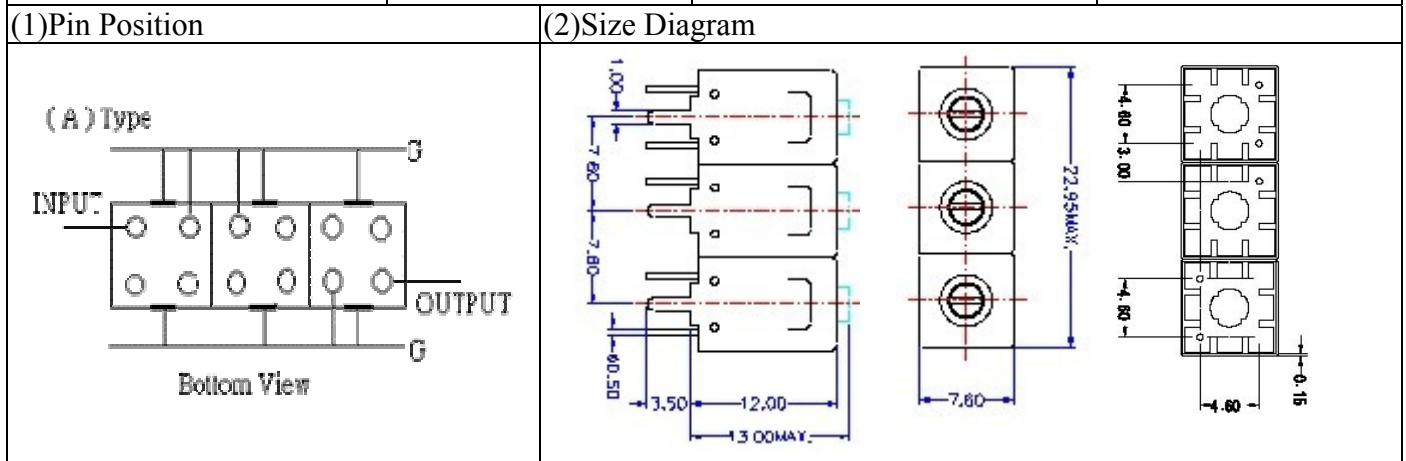


VHF UHF Helical Filter Specification Sheet

Customer Name		Temwell's Part No.	TT6870A-783M
Approval No. /dated	201407194CD	Customer's Print Name.	6870A 783M
Work Instruction No.	201407194CD	Date	Jul.17.2014



(3) Electric Characteristic

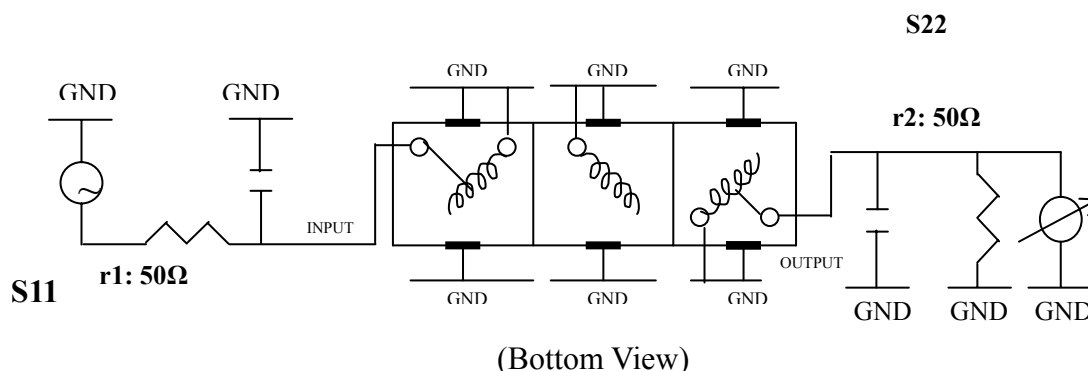
Item	Specify	
Center Freq.(Fo) +/- 0.5 %	783	MHz
Insertion Loss	Typ. 4.5	dB
-3 dB Bandwidth	Typ. 10	MHz
Sensitivity (Attenuation)	Fo - 50 MHz	Typ. 49 dBc
	Fo + 50 MHz	Typ. 37 dBc
	Fo - ()MHz	Typ. dBc
	Fo +()MHz	Typ. dBc
Return Loss	Min. 12	dB
Ripple	< 1	dB
Impedance	In / Out : 50 Ω	
(4) Torque for Tuning Screw	> 60gf · cm	

(5) Temperature Condition:

Operating Temperature	0°C ~ +60°C
Storage Temperature	-20°C ~ +70°C

(6) Input Power

(7) Measuring Circuit: ※Easy to match Impedance S11/S22 50Ω by parallel with about(- -).



Approval C.Y.Chang	Supervisor C.K.Chang	Designer M.Y.Kang	Aperture size 7H3S(4*4.65)(4.67) 7H046LB4.3 聚 3
-----------------------	-------------------------	----------------------	---

TEMWELL CORPORATION

TEMWELL

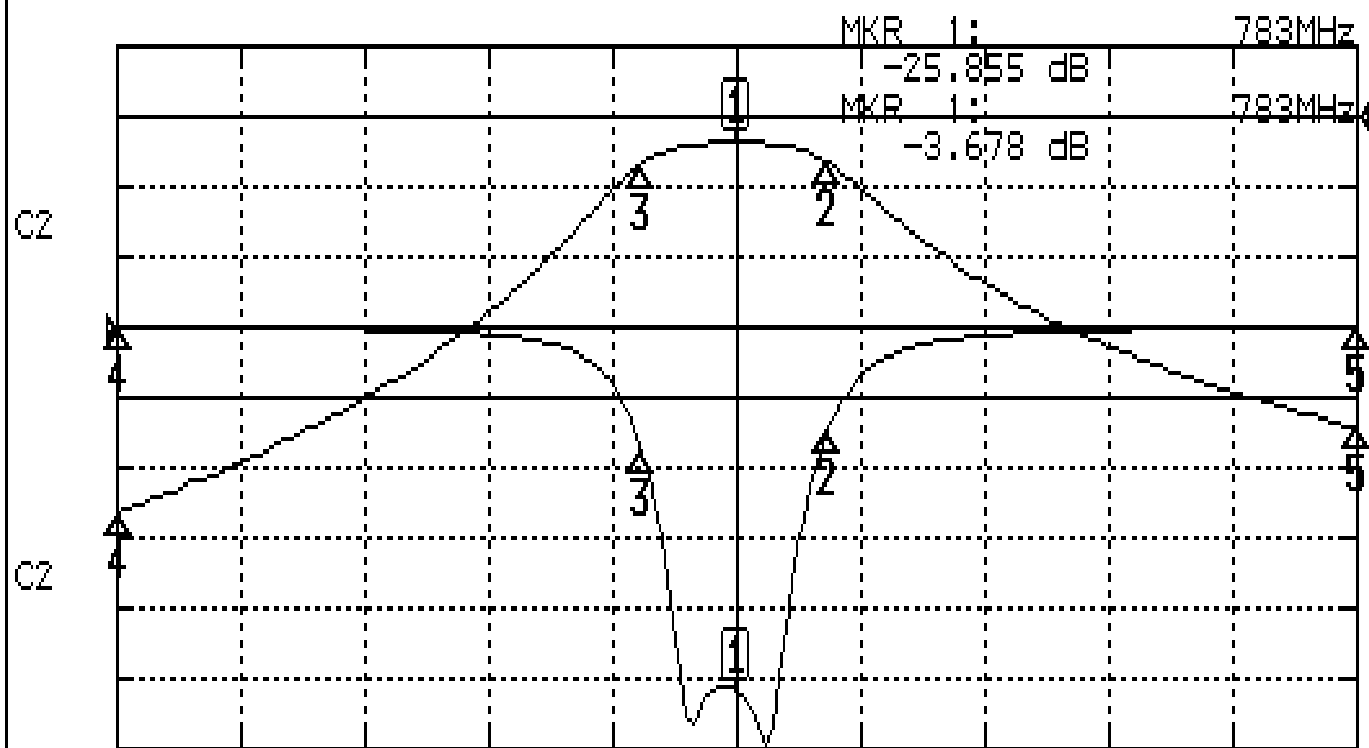
Form10-7H3A Vision D

RP (M.Y)

Performance-TT6870A-783M

201407194CD

CH1 S11 LOG MAG REF 0.000 dB 5.000 dB/
CH2 S21 LOG MAG REF 0.000 dB 10.000 dB/



CENTER 783MHz

[10.00 dBm]

SPAN 100MHz

CH1 MARKER LIST

Marker	Frequency (MHz)	Magnitude (dB)
1:	783.000MHz	-25.859 dB
2:	790.416MHz	-7.392 dB
3:	775.416MHz	-8.780 dB
4:	733.000MHz	0.027 dB
5:	833.000MHz	0.024 dB

CH2 MARKER LIST

Marker	Frequency (MHz)	Magnitude (dB)
1:	783.000MHz	-3.678 dB
2:	790.416MHz	-6.647 dB
3:	775.416MHz	-6.613 dB
4:	733.000MHz	-56.015 dB
5:	833.000MHz	-44.286 dB