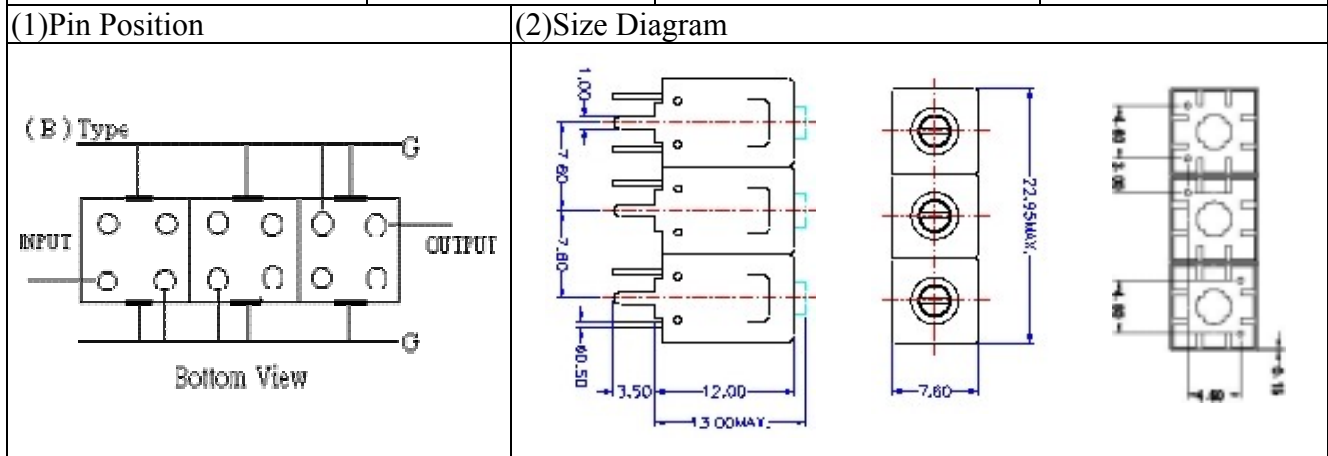
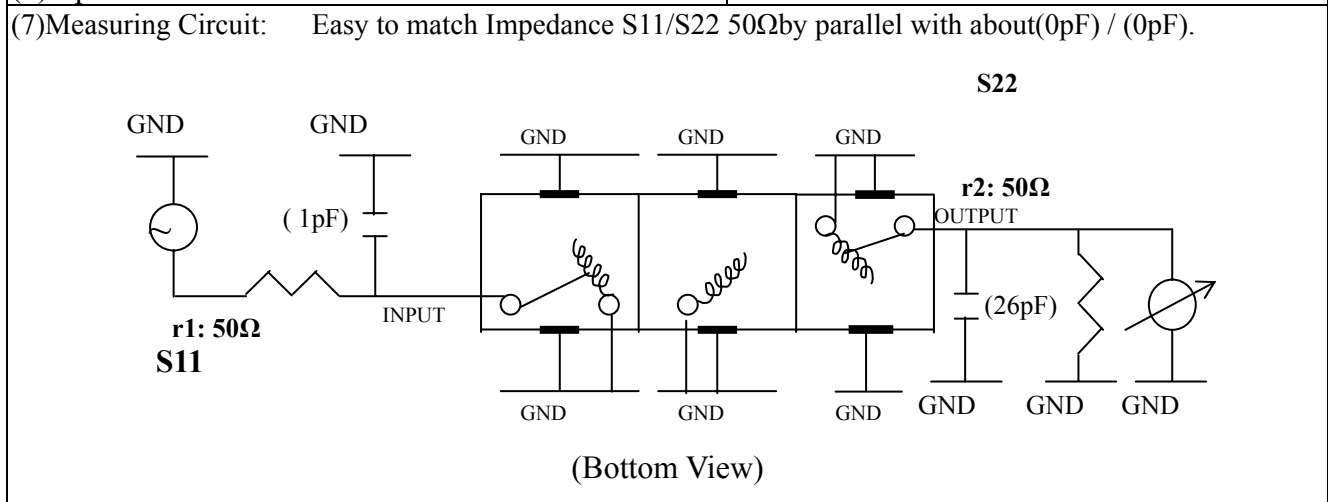


VHF UHF Helical Filter Specification Sheet

Customer Name		Temwell's Part No.	TT67711B-160M
Approval No. /dated	1001046CD	Temwell's Print name.	67711B 160M
Work Instruction No.	201001046CD	Date	Mar.17.2010



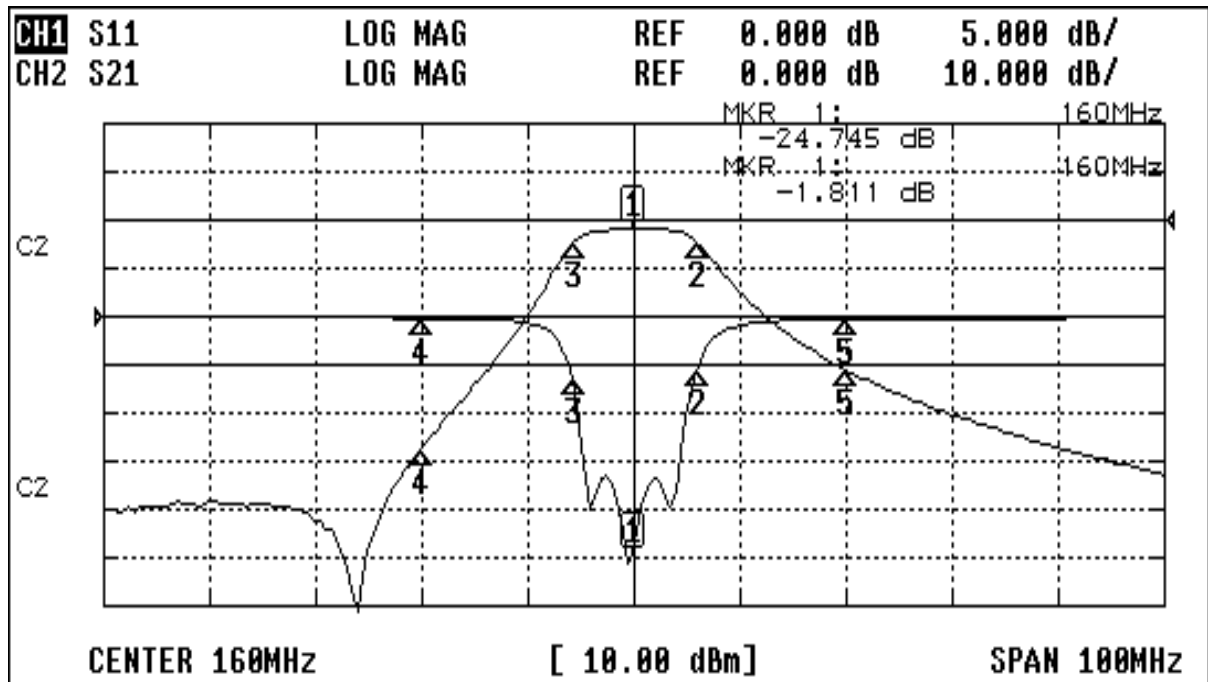
(3) Electric Charasteric	
Item	Specify
Center Freq.(Fo) +/- 0.75 %	160 MHz
Insertion Loss	Typ. 3.0 dB
-3 dB Bandwidth	Typ. 10 MHz
Sensitivity (Attenuation)	Fo - (20) MHz Typ. 43 dBc
	Fo + (20) MHz Typ. 27 dBc
	Fo - () MHz Typ. dBc
	Fo + () MHz Typ. dBc
Return Loss	Min. 12 dB
Ripple	< 1 dB
Impedance	In / Out : 50 Ω
(4) Torque for Tuning Screw	> 60gf cm
(5) Temperature Condition:	
Operating Temperature	-30 ~ +70
Storage Temperature	-30 ~ +80
(6) Input Power	> 1Watt



Approval C.Y.Chang	Supervisor C.K.Chang	Designer F.L.Lai	Aperture size 7H3S(4*8.0)(8.05) 7H024RB4
TEMWELL CORPORATION			

Performance-TT67711B-160M

201001046CD



CH1 MARKER LIST		
1	160.0000MHz	-24.727 dB
2	166.0833MHz	-17.266 dB
3	154.2600MHz	-6.737 dB
4	140.0000MHz	-0.165 dB
5	180.0000MHz	-0.257 dB

CH2 MARKER LIST		
1	160.0000MHz	-1.811 dB
2	166.0833MHz	-4.827 dB
3	154.2600MHz	-4.864 dB
4	140.0000MHz	-47.363 dB
5	180.0000MHz	-30.978 dB