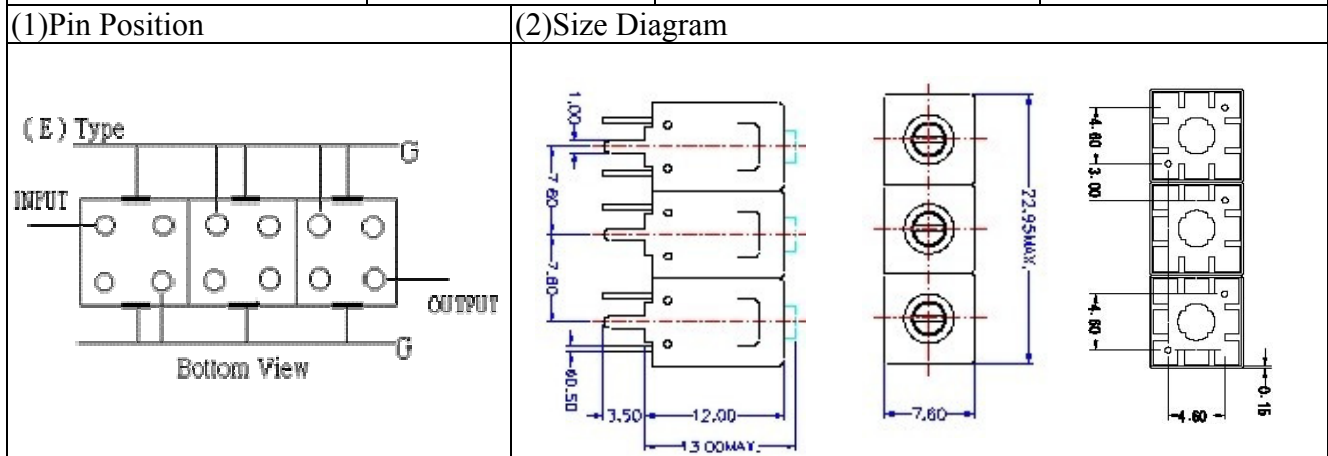


VHF UHF Helical Filter Specification Sheet

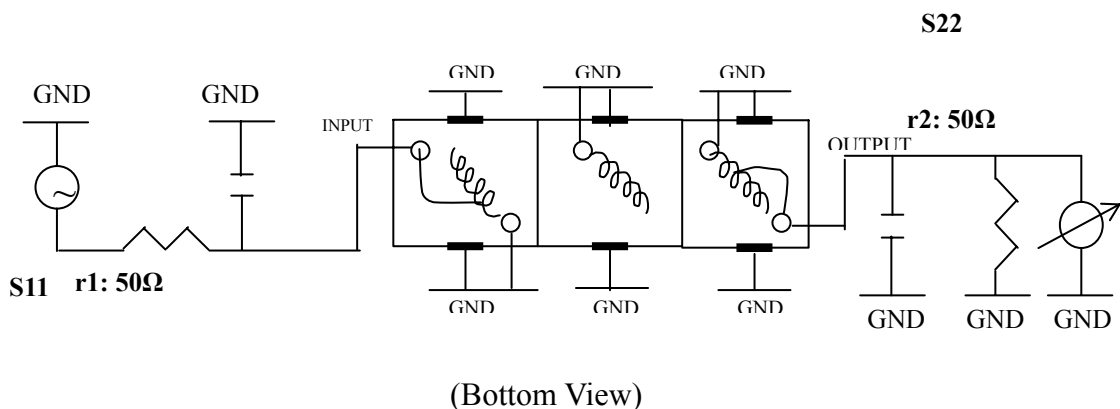
Customer Name		Temwell's Part No.	TT67550E-915M
Approval No. /dated	201107078CD	Temwell's Print No.	67550E 915M
Work Instruction No.	201107078CD	Date	Oct.28.2011



(3) Electric Charasteric

Item	Specify	
Center Freq.(Fo) +/- 0.5 %	915	MHz
Insertion Loss	Typ. 3.0	dB
-3 dB Bandwidth	Typ. 27	MHz
Sensitivity (Attenuation)	Fo - 100 MHz	Typ. 42 dBc
	Fo + 100 MHz	Typ. 43 dBc
	Fo - ()MHz	Typ. dBc
	Fo +()MHz	Typ. dBc
Return Loss	Min. 12	dB
Ripple	< 1	dB
Impedance	In / Out : 50 Ω	
(4)Torque for Tuning Screw	> 60gf cm	
(5)Temperature Condition:		
Operating Temperature	0 ~ +60	
Storage Temperature	-20 ~ +70	
(6)Input Power	> 1Watt	

(7)Measuring Circuit: Easy to match Impedance S11/S22 50Ω by parallel with about(--) / (--).



Approval	Supervisor	Designer	Aperture size
C.Y.Chang	C.K.Chang	F.L.Lai	7H3S(4*6.35)(6.39) 7H046LB4.3 聚 3(J1)

TEMWELL CORPORATION

Performance-TT67550E-915M

201107078CD

