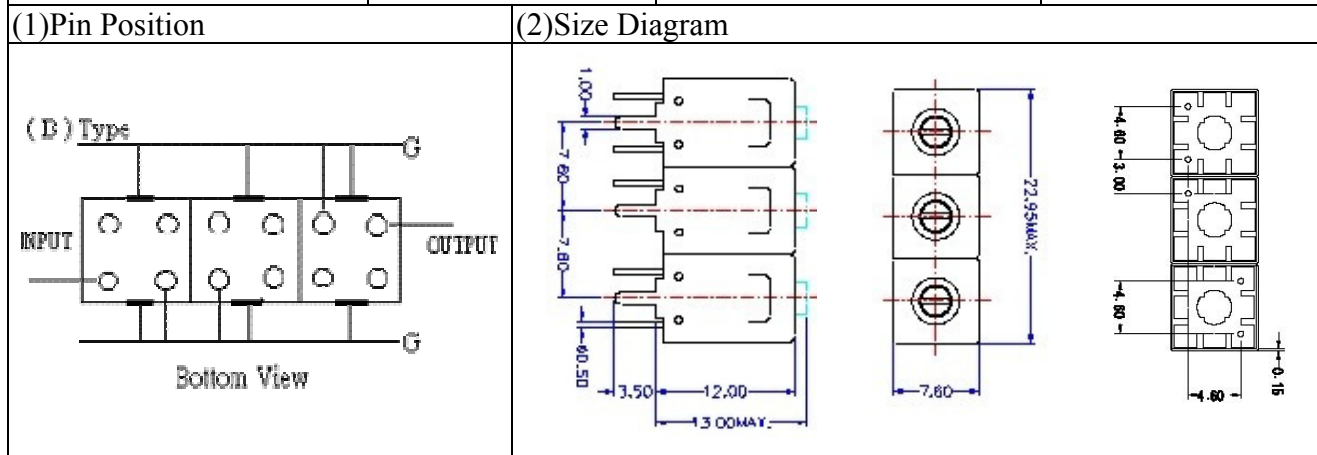


VHF UHF Helical Filter Specification Sheet

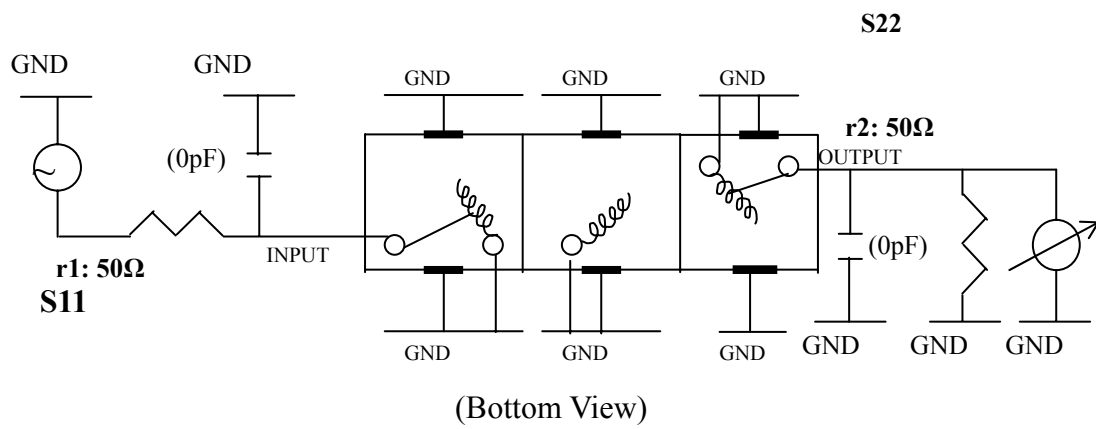
Customer Name		Temwell's Part No.	TT67157B-436M
Approval No. /dated	0710038APR	Customer's Print Name.	67157B 436M
Work Instruction No.	0710038C	Date	Oct.22.2007



(3)Electric Charasteric

Item	Specify
Center Freq.(Fo) +/- 0.5 %	436 MHz
Tunable Range:	436±5 MHz
Insertion Loss	Typ. 3.0 dB
-3 dB Bandwidth	Typ. 15 MHz
Sensitivity (Attenuation)	Fo - 50 MHz Typ. 46 dBc
	Fo + 50 MHz Typ. 35 dBc
	Fo - ()MHz Typ. dBc
	Fo +()MHz Typ. dBc
Return Loss	Min. 12 dB
Ripple	< 1 dB
Impedance	In / Out : 50 Ω
(4)Torque for Tuning Screw	> 100gf cm
(5)Temperature Condition:	
Operating Temperature	0 ~ +60
Storage Temperature	-20 ~ +70
(6)Input Power	> 1Watt

(7)Measuring Circuit: Easy to match Impedance S11/S22 50Ωby parallel with about(0pF) / (0pF).

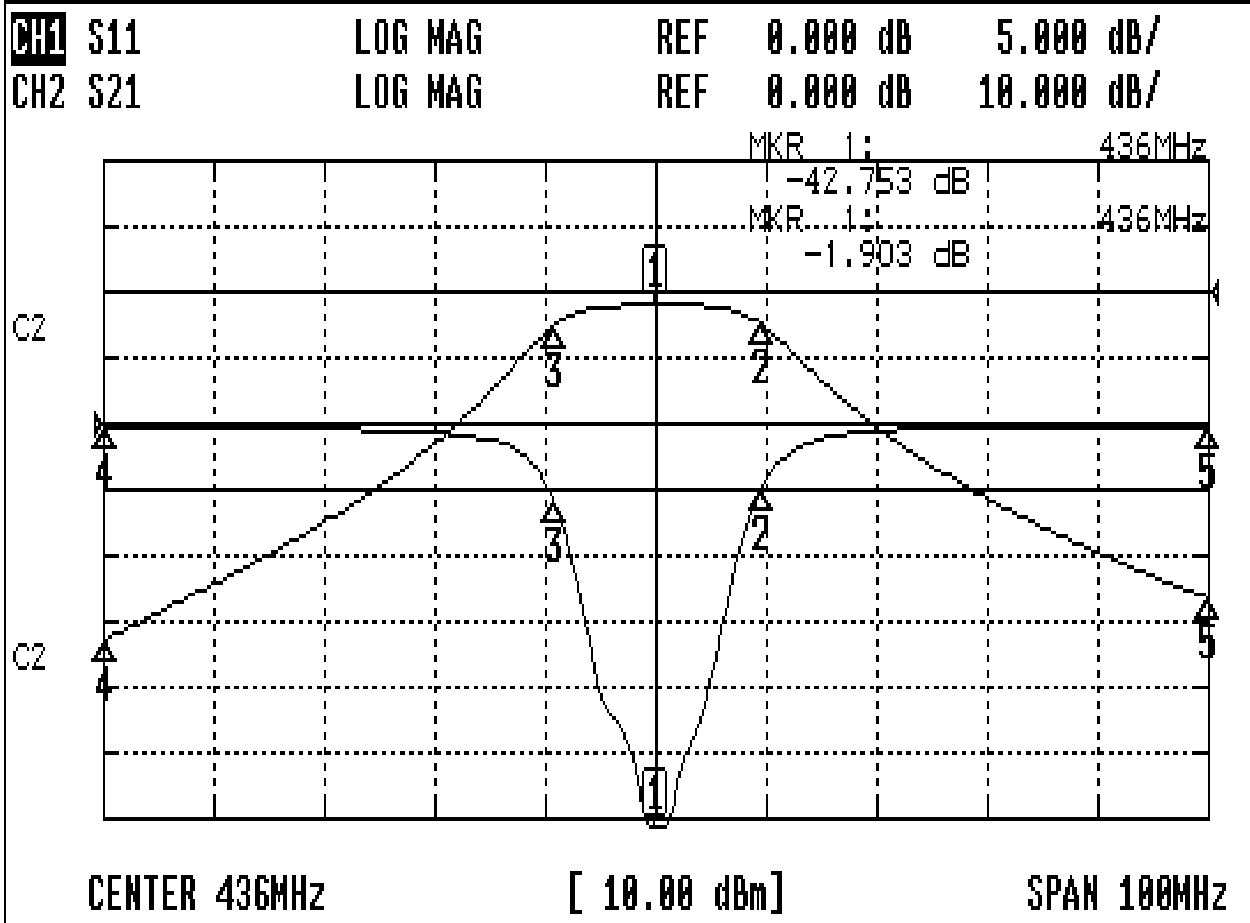


Approval	Supervisor	Designer	Aperture size
C.Y.Chang	C.S.Chang	W.W.Wang	7H3(4*6.5)F 7H046LB4 聚 3

TEMWELL CORPORATION

Performance-TT67157B-436M

0710038C



CH1 MARKER LIST

1:	436.000MHz	-42.753 dB
2:	445.500MHz	-5.087 dB
3:	426.916MHz	-5.982 dB
4:	386.000MHz	-0.270 dB
5:	486.000MHz	-0.226 dB
6:		
7:		
8:		
9:		
10:		

CH2 MARKER LIST

1:	436.000MHz	-1.903 dB
2:	445.500MHz	-4.909 dB
3:	426.916MHz	-4.904 dB
4:	386.000MHz	-52.751 dB
5:	486.000MHz	-46.573 dB
6:		
7:		
8:		
9:		
10:		