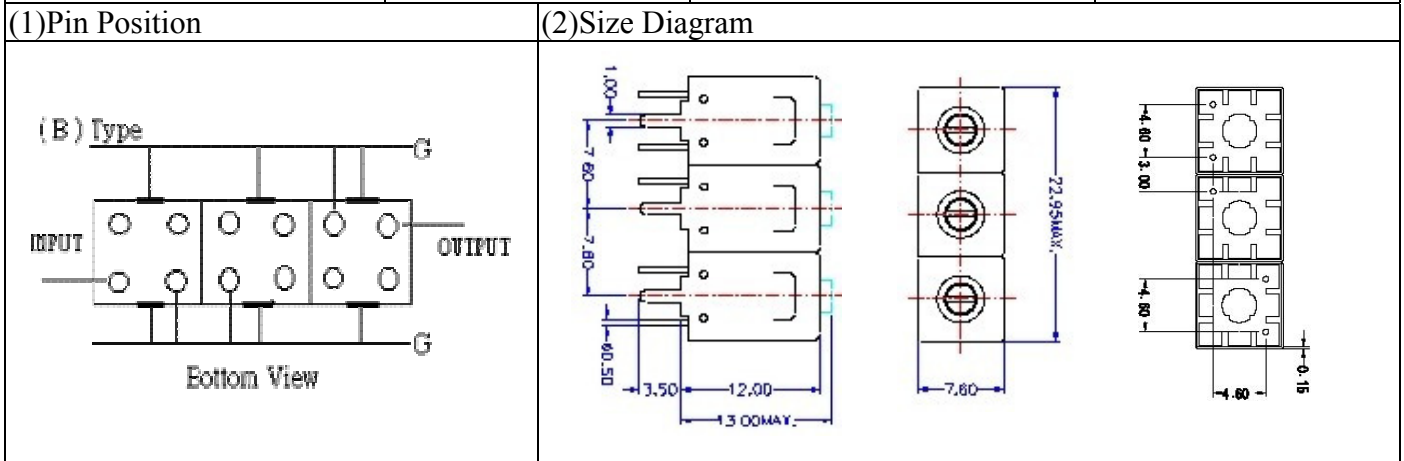
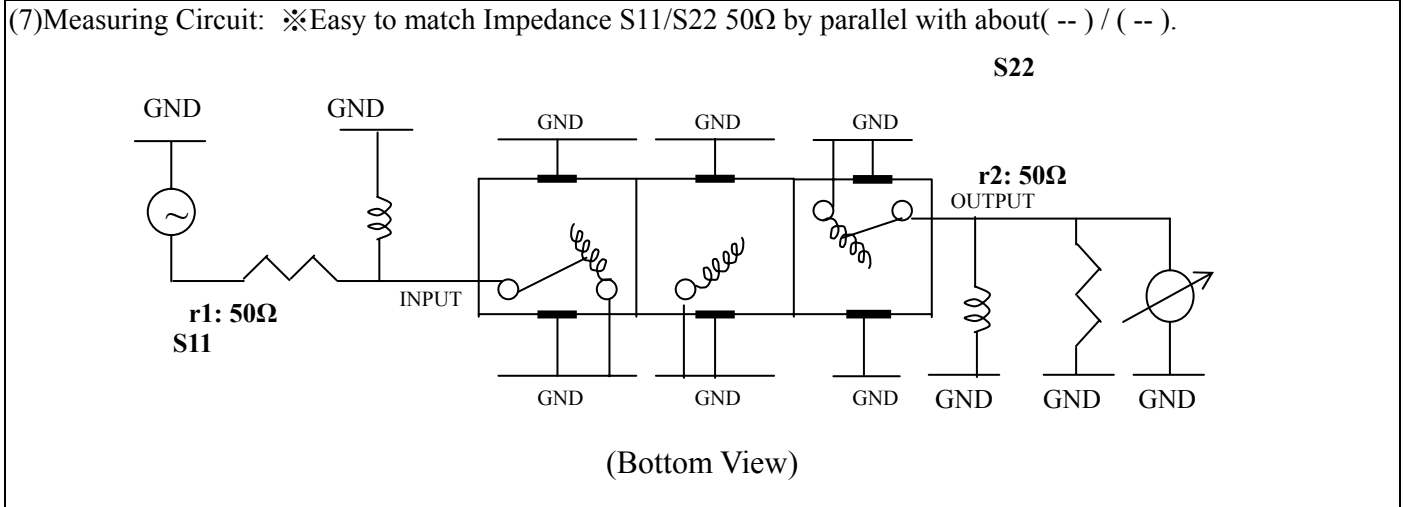


VHF UHF Helical Filter Specification Sheet

Customer Name		Temwell's Part No.	TT67157B-433M
Approval No. /dated	201407202CD	Temwell's Print name	67157B 433M
Work Instruction No.	201407202CD	Date	Jul.14.2014



(3) Electric Characteristic		Item	Specify
Center Freq.(Fo) +/- 0.5 %			433 MHz
Insertion Loss		Typ.	3.0 dB
-3 dB Bandwidth		Typ.	15 MHz
Sensitivity (Attenuation)	Fo - 50 MHz	Typ.	44 dBc
	Fo + 50 MHz	Typ.	40 dBc
	Fo - ()MHz	Typ.	dBc
	Fo +()MHz	Typ.	dBc
Return Loss		Min.	12 dB
Ripple			< 1 dB
Impedance			In / Out : 50 Ω
(4) Torque for Tuning Screw			> 60gf · cm
(5) Temperature Condition:			
Operating Temperature			0°C ~ +60°C
Storage Temperature			-20°C ~ +70°C
(6) Input Power			> 1Watt



Approval C.Y.Chang	Supervisor C.K.Chang	Designer C.S.Chang	Aperture size 7H3S(4*6.5)(6.58) 7H046LB4.3 聚 3
-----------------------	-------------------------	-----------------------	--

TEMWELL CORPORATION

Performance-TT67157B-433M

201407202B

Tr1 511 Log Mag 5.000dB/ Ref 0.000dB [F2]
Tr2 521 Log Mag 10.00dB/ Ref 0.000dB [F2]

