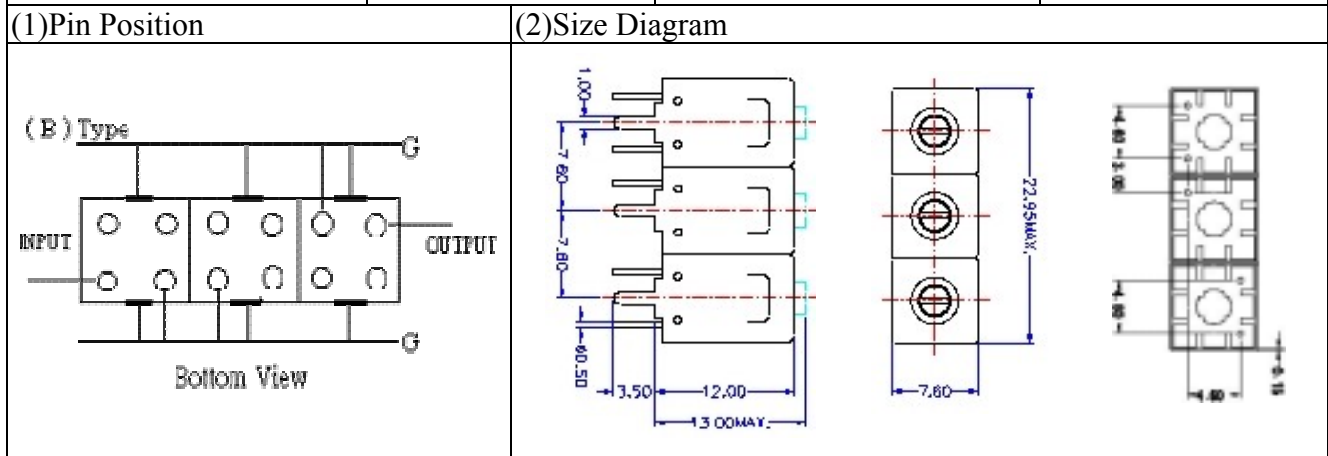
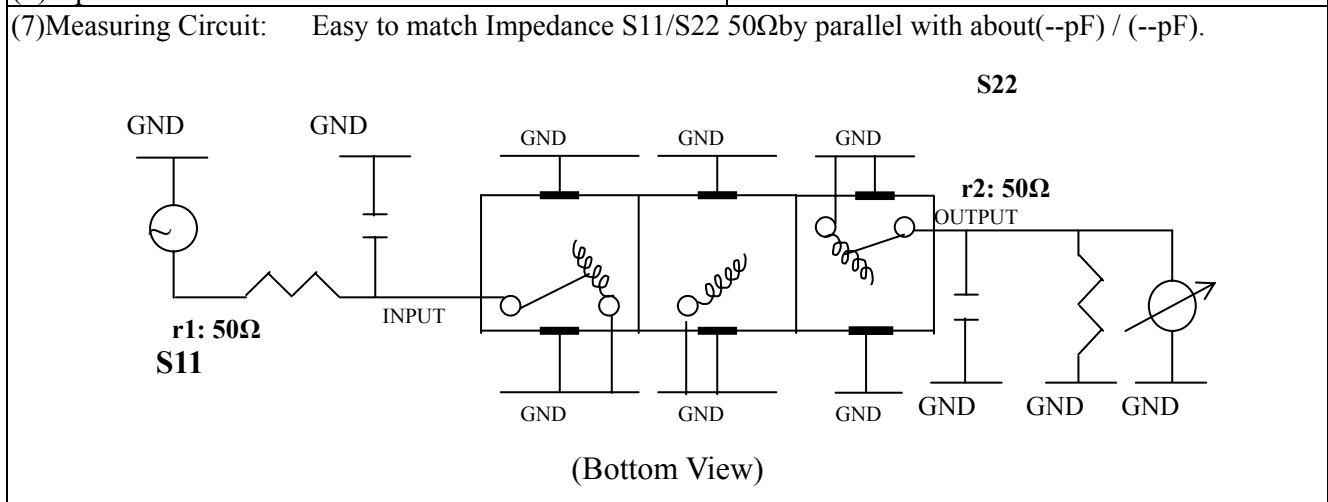


VHF UHF Helical Filter Specification Sheet

Customer Name		Temwell's Part No.	TT63348B-375M
Approval No. /dated	200910043CD	Temwell's Print name.	63348B 375M
Work Instruction No.	201004064C	Date	Jan.17.2011



(3) Electric Charasteric		Item	Specify
Center Freq.(Fo) +/- 0.5 %			375 MHz
Insertion Loss		Typ.	1.5 dB
-3 dB Bandwidth		Typ.	100 MHz
Sensitivity (Attenuation)	Fo - (150) MHz	Typ.	50 dBc
	Fo + (150) MHz	Typ.	21 dBc
	Fo - () MHz	Typ.	dBc
	Fo + () MHz	Typ.	dBc
Return Loss		Min.	12 dB
Ripple			< 1 dB
Impedance			In / Out : 50 Ω
(4) Torque for Tuning Screw			> 60gf cm
(5) Temperature Condition:			
Operating Temperature			0 ~ +60
Storage Temperature			-20 ~ +70
(6) Input Power			> 1Watt



Approval C.Y.Chang	Supervisor C.K.Chang	Designer C.S.Chang	Aperture size 7H3S(4*8.0)(8.02) 7H046RB6.5
TEMWELL CORPORATION			

Performance-TT63348B-375M

201004064C

