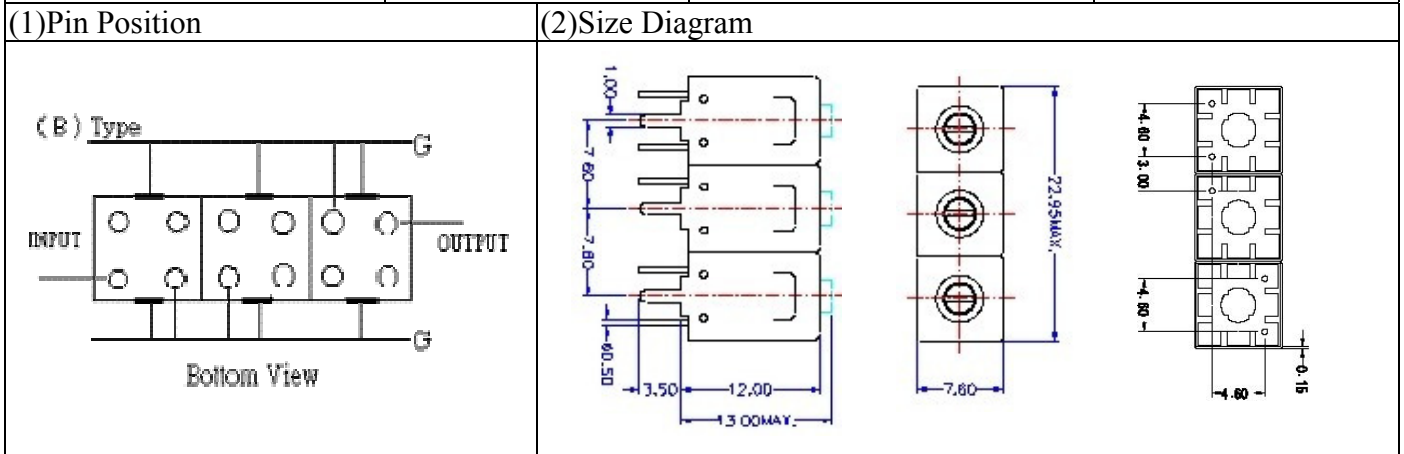
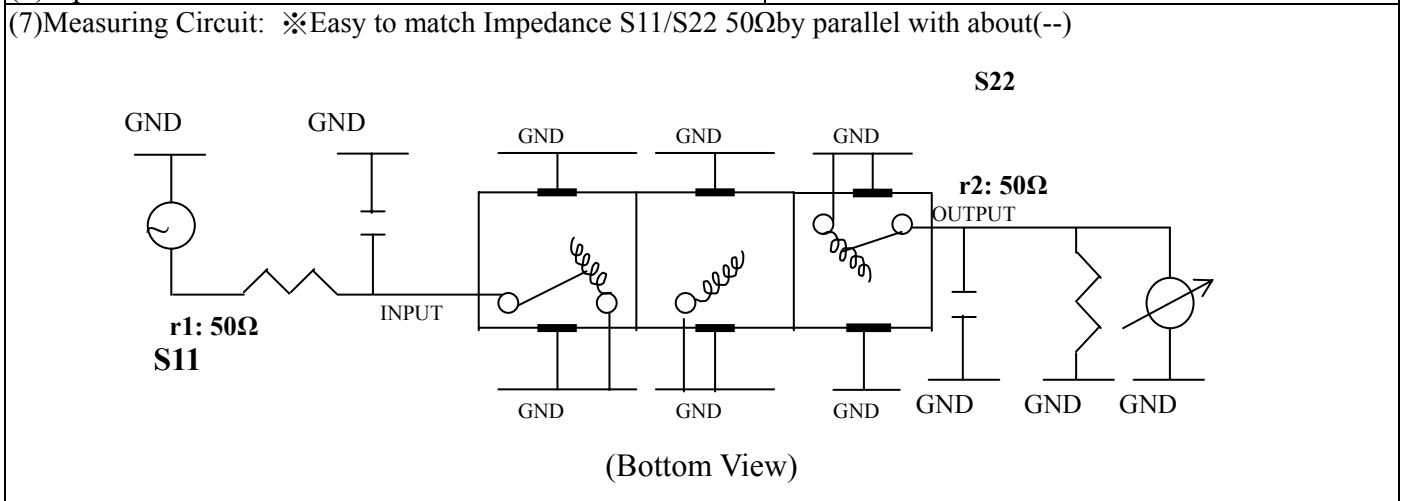


# VHF UHF Helical Filter Specification Sheet

Customer Name		Temwell's Part No.	TT63206B-160M
Approval No. /dated		Temwell's Print name.	63206B 160M
Work Instruction No.	201401024BD	Date	Jan.14.2014



(3) Electric Chararistic		Item	Specify
		Center Freq.(Fo) +/- 0.5 %	160 MHz
		Insertion Loss	Typ. 2.0 dB
		-3 dB Bandwidth	Typ. 40 MHz
Sensitivity (Attenuation)	Fo - (100) MHz	Typ. 42	dBc
	Fo + (100) MHz	Typ. 39	dBc
	Fo - ( ) MHz	Typ.	dBc
	Fo + ( ) MHz	Typ.	dBc
		Return Loss	Min. 12 dB
		Ripple	< 1 dB
		Impedance	In / Out : 50 Ω
(4) Torque for Tuning Screw		> 60gf · cm	
(5) Temperature Condition:			
Operating Temperature		0°C ~ +60°C	
Storage Temperature		-20°C ~ +70°C	
(6) Input Power		> 1Watt	

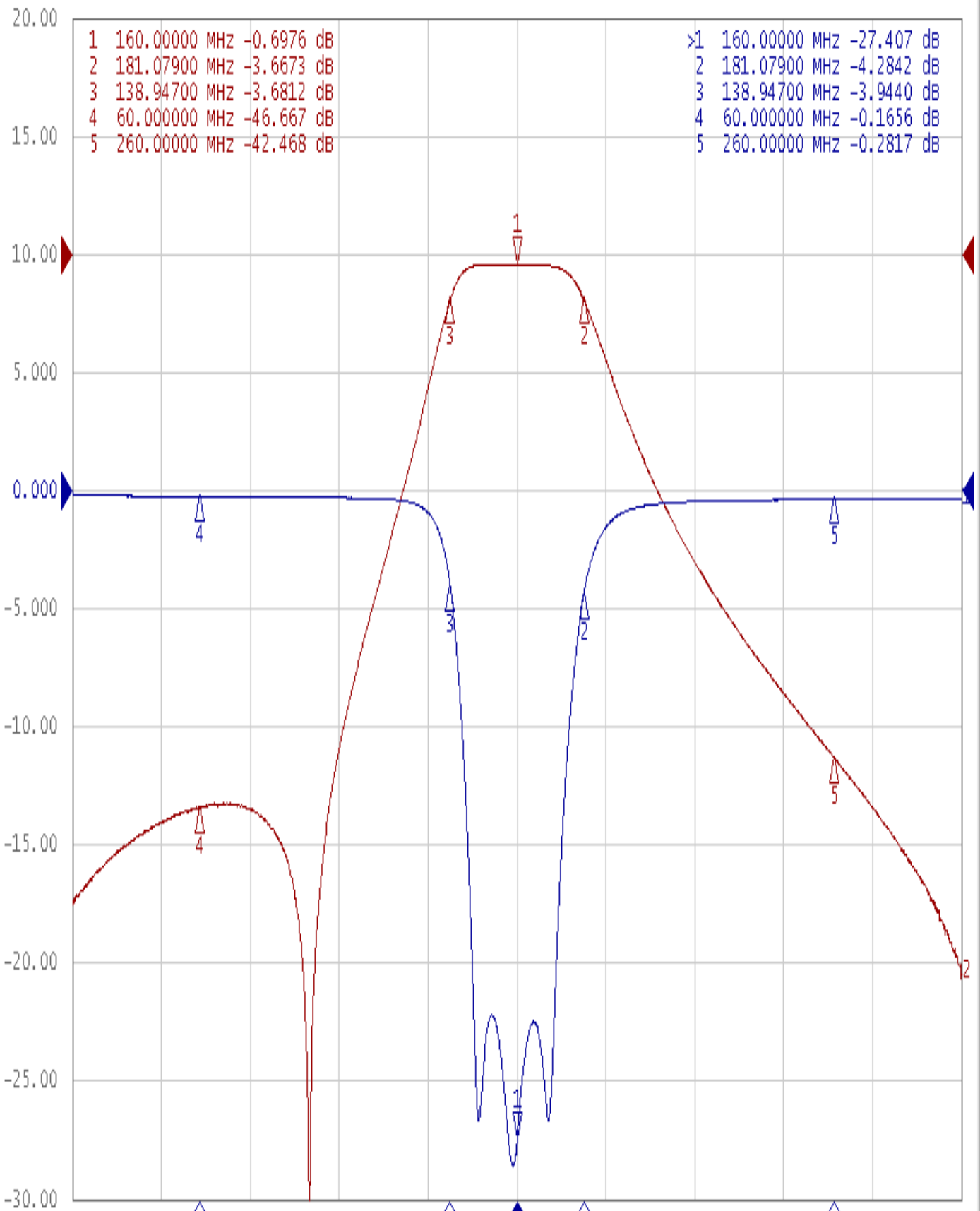


Approval	Supervisor	Designer	Aperture size
C.Y.Chang	C.K.Chang	C.S.Chang	7H3S(4*8.0)(8.02) 7H024RB6.5
TEMWELL CORPORATION			

# Performance-TT63206B-160M

## 201401024BD

Tr1 S11 Log Mag 5.000dB/ Ref 0.000dB [F2]  
Tr2 S21 Log Mag 10.00dB/ Ref 0.000dB [F2]



1 Center 160 MHz

IFBW 10 kHz

Span 280 MHz Cor !