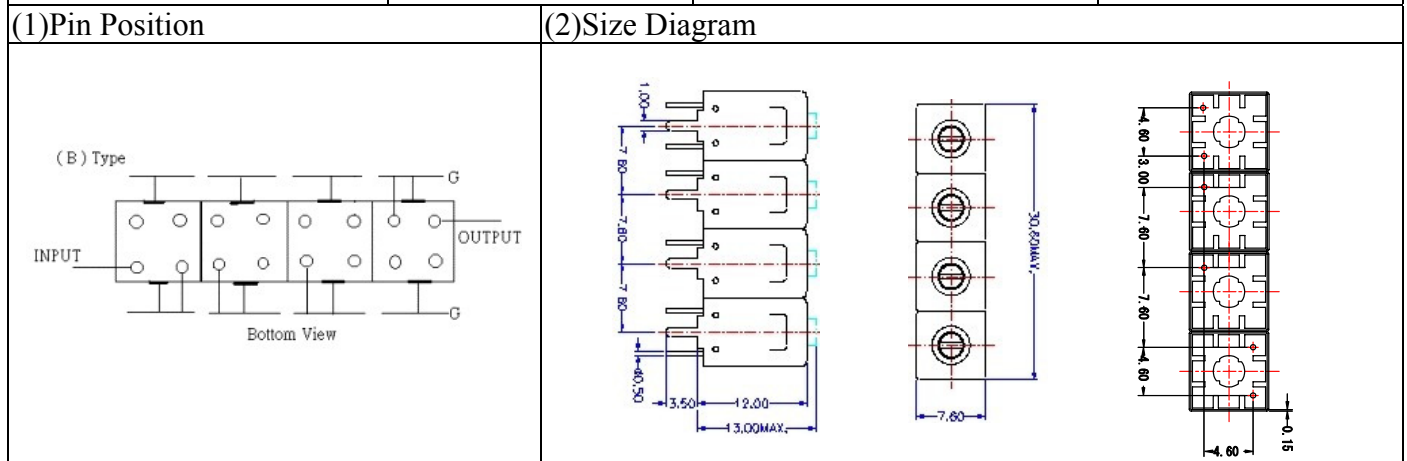


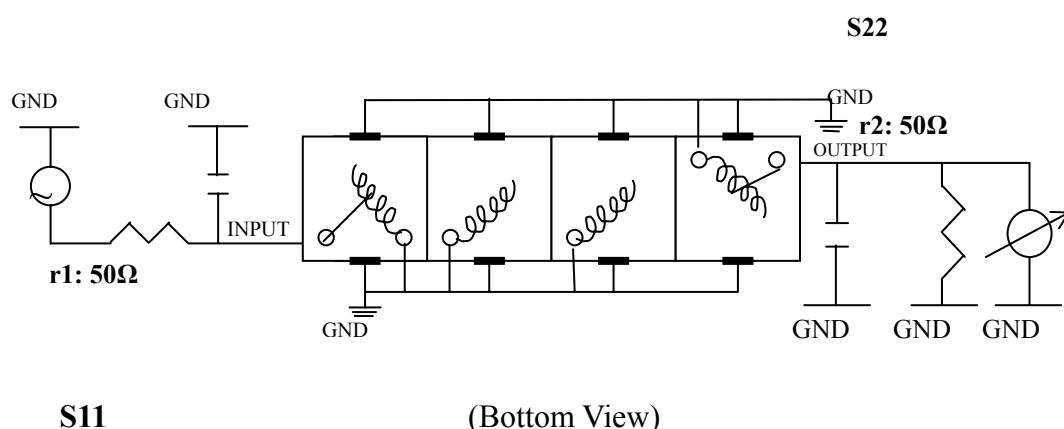
VHF UHF Helical Filter Specification Sheet

Customer Name		Temwell's Part No.	TF69861B-925M
Approval No. /dated		Temwell's Print Name	69861B 925M
Work Instruction No.	201504067C	Date	Jun.04.2015



(3) Electric Characteristic		Item	Specify
Center Freq.(Fo) +/- 0.5 %			925 MHz
Insertion Loss		Typ.	2.0 dB
-3 dB Bandwidth		Typ.	120 MHz
Sensitivity (Attenuation)	Fo - 150 MHz	Typ.	46 dBc
	Fo + 150 MHz	Typ.	26 dBc
	Fo - ()MHz	Typ.	dBc
	Fo +()MHz	Typ.	dBc
Return Loss		Min.	12 dB
Ripple			< 1 dB
Impedance			In / Out : 50 Ω
(4) Torque for Tuning Screw			> 60gf · cm
(5) Temperature Condition:			
Operating Temperature			0°C ~ +60°C
Storage Temperature			-20°C ~ +70°C
(6) Input Power			> 1Watt

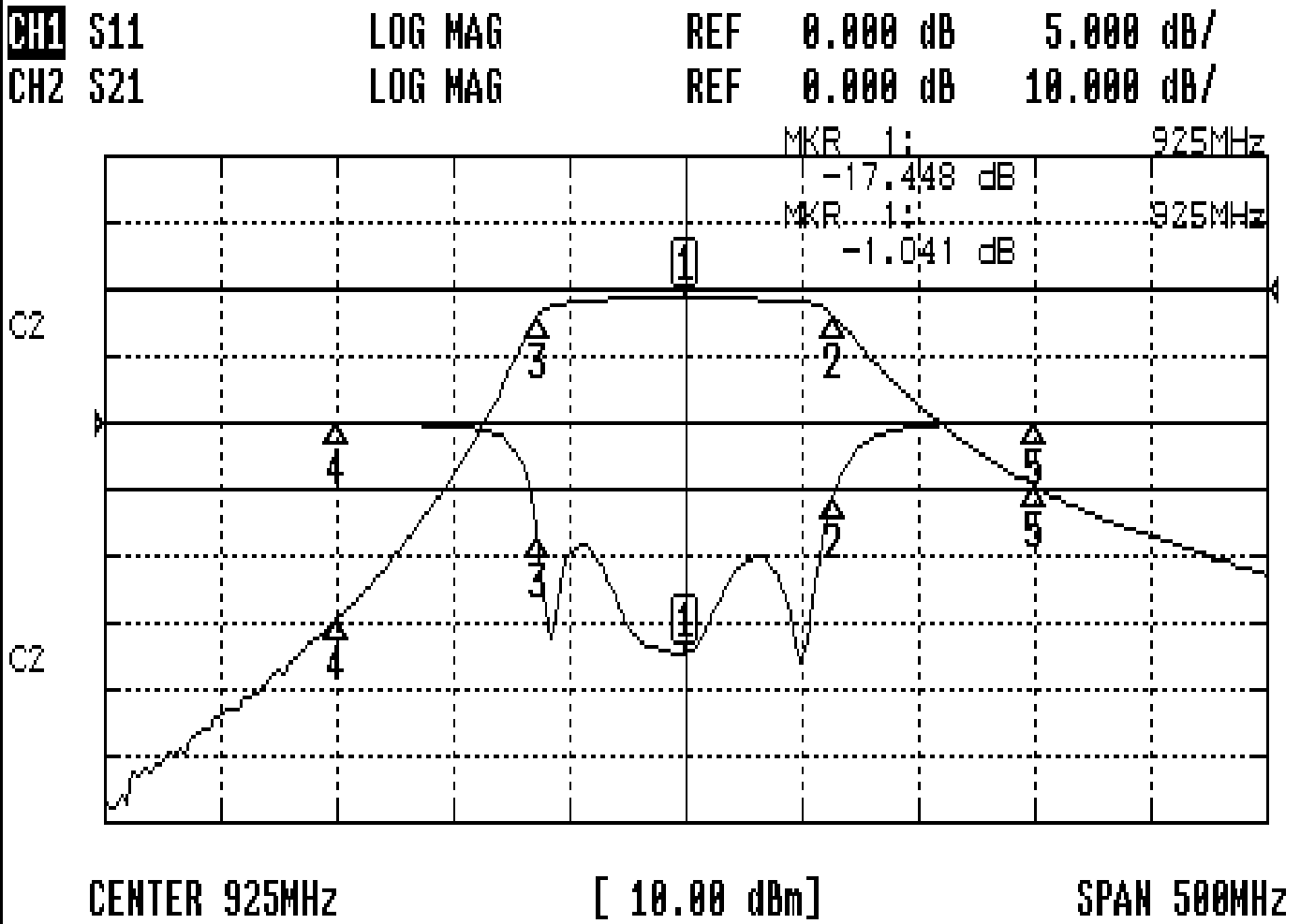
(7) Measuring Circuit: ※Easy to match Impedance S11/S22 50Ω by parallel with about(- -).



Approval	Supervisor	Designer	Aperture size
C.Y.Chang	C.K.Chang	C.S.Chang	7H4S(4*8.0)(8.01) 7H046RB6.5

Performance-TF69861B-925M

201504067C



CH1 MARKER LIST			
1:	925.000MHz	-17.448	dB
2:	988.750MHz	-5.431	dB
3:	861.666MHz	-8.758	dB
4:	775.000MHz	-0.013	dB
5:	1.075000GHz	0.056	dB
6:			
7:			
8:			
9:			
10:			

CH2 MARKER LIST			
1:	925.000MHz	-1.041	dB
2:	988.750MHz	-4.126	dB
3:	861.666MHz	-4.034	dB
4:	775.000MHz	-49.363	dB
5:	1.075000GHz	-29.496	dB
6:			
7:			
8:			
9:			
10:			