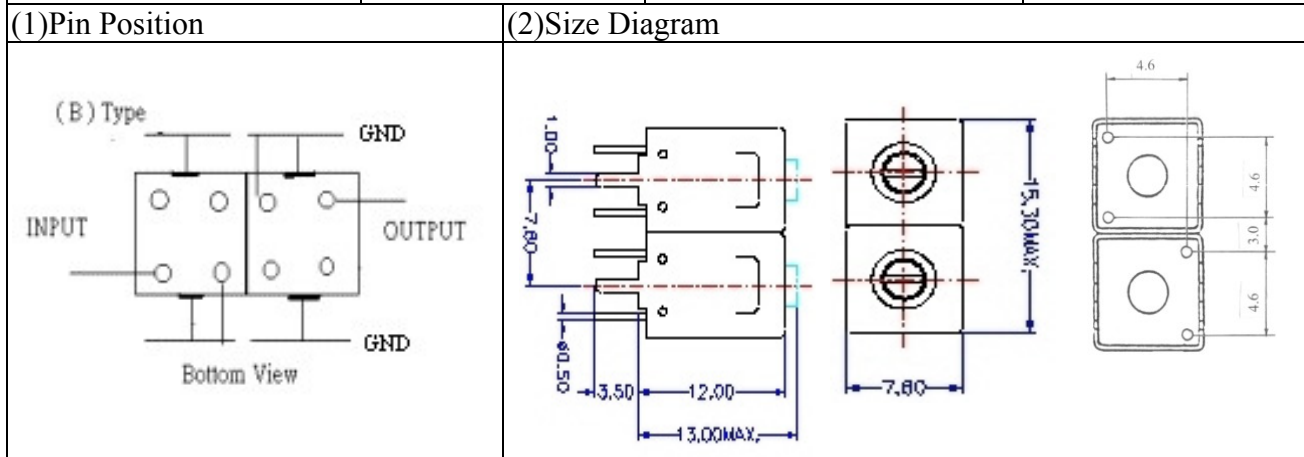
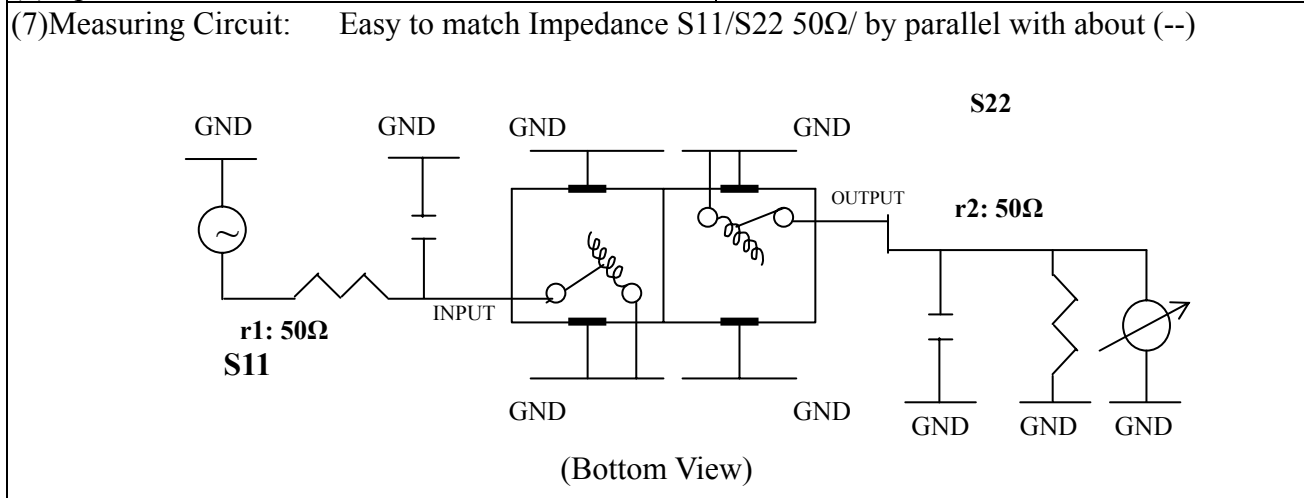


VHF UHF Helical Filter Specification Sheet

Customer Name		Temwell's Part No.	TD67748B-915M
Approval No. /dated	20507116DC	Temwell's Print Name	67748B 915M
Work Instruction No.	201107077C	Date	Oct.06.2011



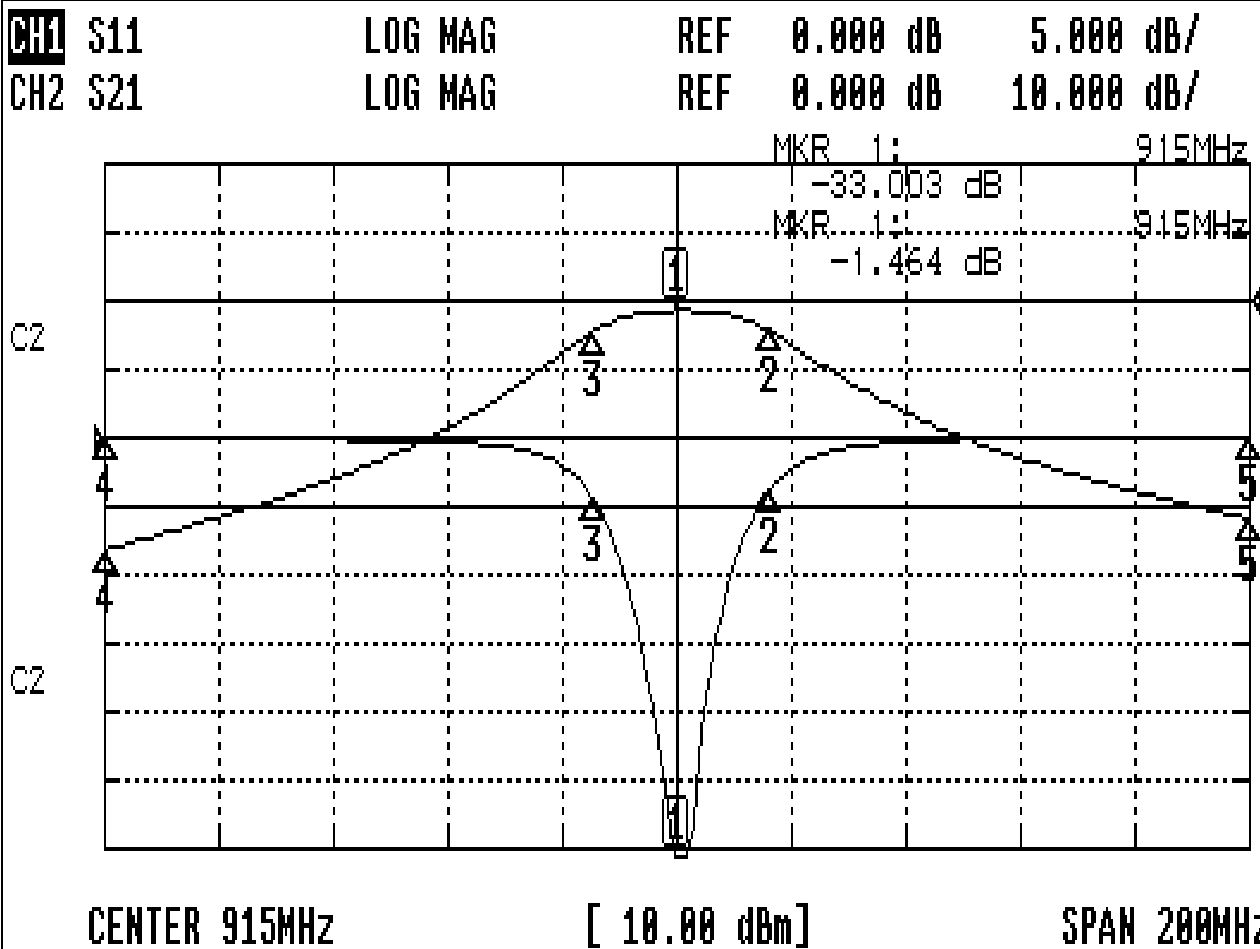
(3) Electric Characteristic	
Item	Specify
Center Freq.(Fo) +/- 0.5 %	915 MHz
Insertion Loss	Typ. 2.5 dB
-3 dB Bandwidth	Typ. 26 MHz
Sensitivity (Attenuation)	Fo - 100 MHz Typ. 31 dBc
	Fo + 100 MHz Typ. 26 dBc
	Fo - ()MHz Typ. dBc
	Fo + ()MHz Typ. dBc
Return Loss	Min. 12 dB
Ripple	< 1 dB
Impedance	In / Out : 50 Ω
(4) Torque for Tuning Screw	> 100gf cm
(5) Temperature Condition:	
Operating Temperature	0 ~ +60
Storage Temperature	-20 ~ +70
(6) Input Power	> 1Watt



Approval	Supervisor	Designer	Aperture size
C.Y.Chang	C.K.Chang	W.W.Wang	7H2S(4*7.35)(7.38) 7H046RB4
TEMWELL CORPORATION			

Performance-TD67748B-915M

201107077C



CH1 MARKER LIST

Marker	Frequency	Magnitude
1	915.000MHz	-33.002 dB
2	931.166MHz	-3.846 dB
3	900.500MHz	-4.338 dB
4	815.000MHz	-0.095 dB
5	1.015 000GHz	0.070 dB

CH2 MARKER LIST

Marker	Frequency	Magnitude
1	915.000MHz	-1.464 dB
2	931.166MHz	-4.420 dB
3	900.500MHz	-4.482 dB
4	815.000MHz	-36.412 dB
5	1.015 000GHz	-31.747 dB