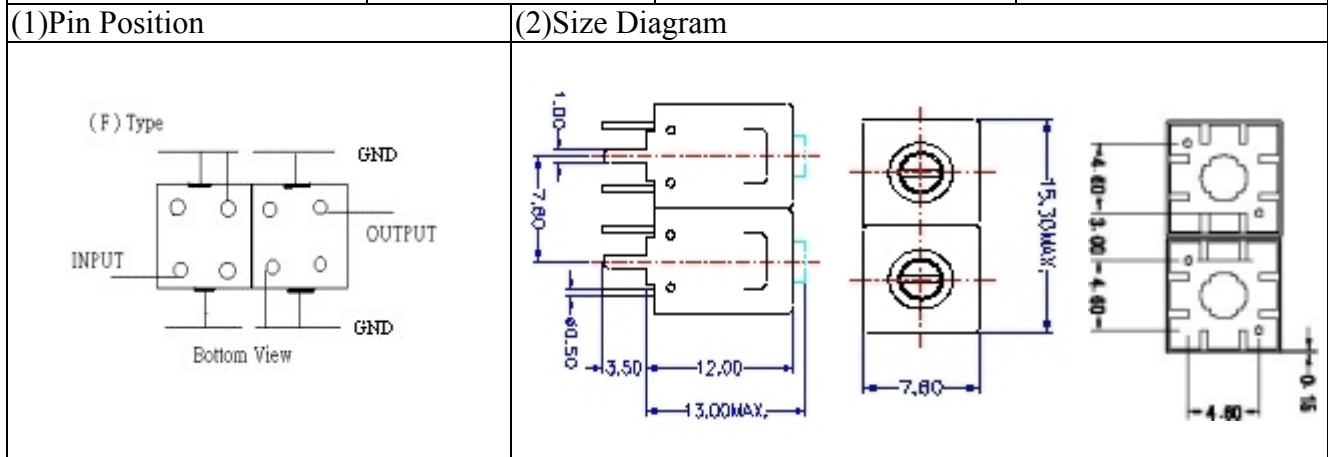


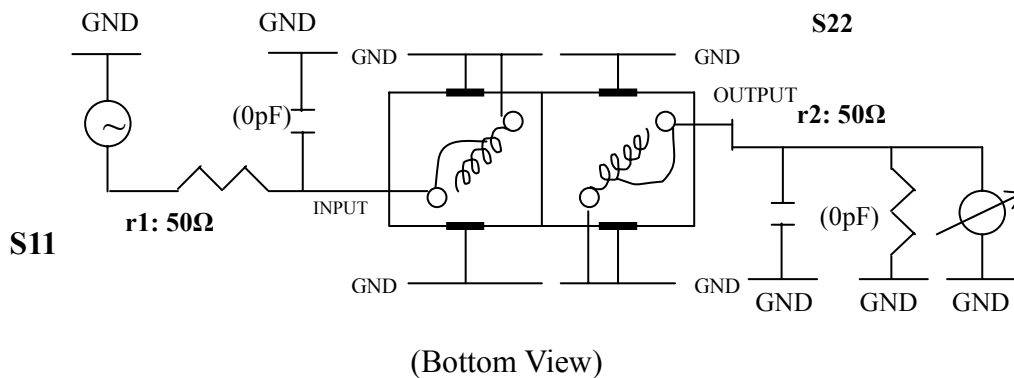
VHF UHF Helical Filter Specification Sheet

Customer Name		Temwell's Part No.	TD6742F-382M
Approval No. /dated	0710086APR	Customer's Part No.	6742F 382M
Work Instruction No.	0710086C	Date	Oct.29.2007



(3) Electric Characteristic	
Item	Specify
Center Freq.(Fo) +/- 0.5 %	382 MHz
Tunable Range:	382±4 MHz
Insertion Loss	Typ. 2.5 dB
-3 dB Bandwidth	Typ. 12 MHz
Sensitivity (Attenuation)	Fo - 50 MHz Typ. 35 dBc
	Fo + 50 MHz Typ. 23 dBc
	Fo - ()MHz Typ. dBc
	Fo +()MHz Typ. dBc
Return Loss	Min. 12 dB
Ripple	< 1 dB
Impedance	In / Out : 50 Ω
(4) Torque for Tuning Screw	
> 100gf cm	
(5) Temperature Condition:	
Operating Temperature	0 ~ +60
Storage Temperature	-20 ~ +70
(6) Input Power	
> 1Watt	

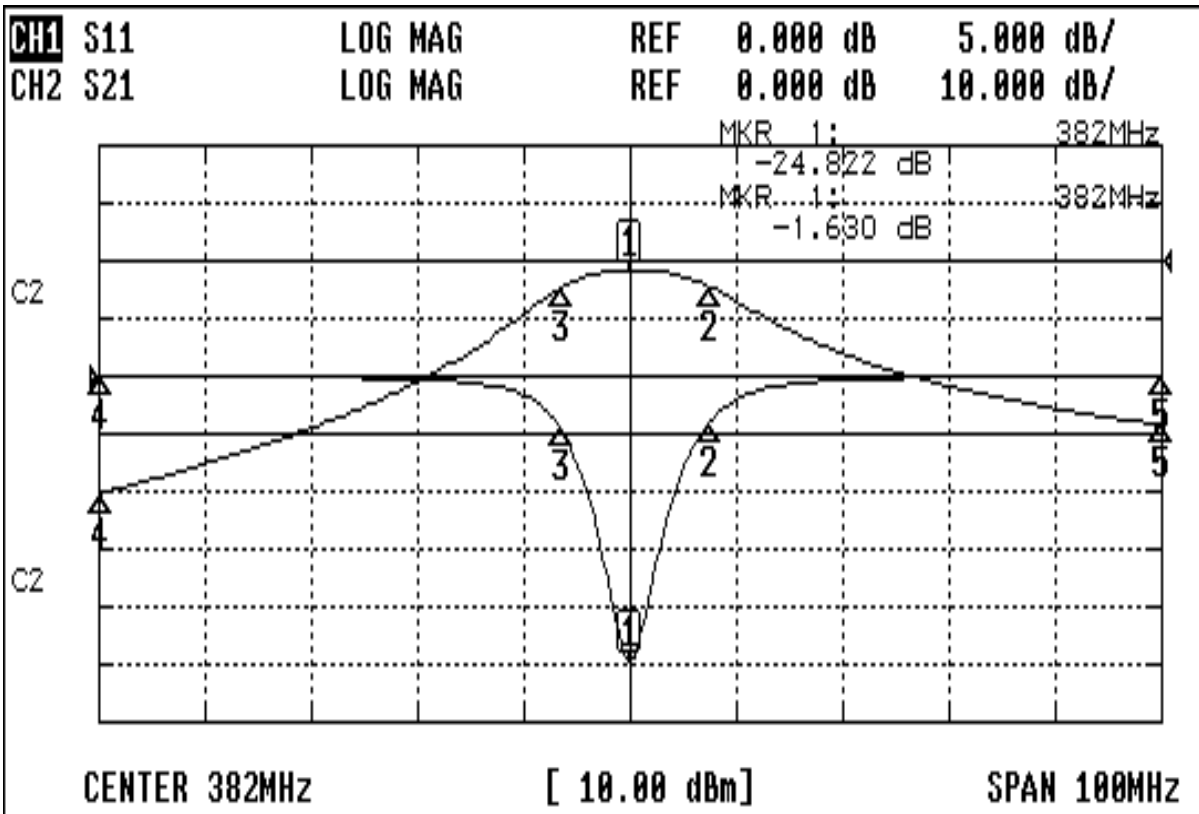
(7) Measuring Circuit: Easy to match Impedance 50Ω/ by parallel with about (0) pF.



Approval	Supervisor	Designer	Aperture size
C.Y.Chang	C.S.Chang	P.H.Chiang	7H2(4*5.5)F 7H046LB4 聚 3
TEMWELL CORPORATION			

Performance-TD6742F-382M

0710086C



CH1 MARKER LIST

1:	382.000MHz	-24.822 dB
2:	389.583MHz	-3.947 dB
3:	375.583MHz	-4.666 dB
4:	332.000MHz	-0.008 dB
5:	432.000MHz	-0.011 dB
6:		
7:		
8:		
9:		
10:		

CH2 MARKER LIST

1:	382.000MHz	-1.631 dB
2:	389.583MHz	-4.604 dB
3:	375.583MHz	-4.661 dB
4:	332.000MHz	-40.435 dB
5:	432.000MHz	-28.422 dB
6:		
7:		
8:		
9:		
10:		