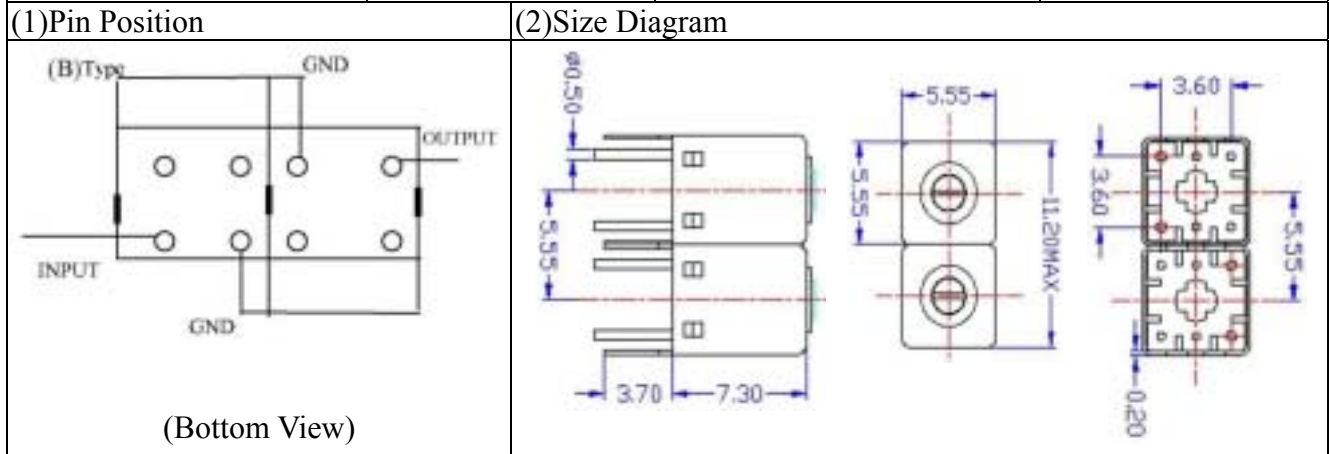


VHF UHF Helical Filter Specification Sheet

Customer Name		Temwell's Part No.	K2RB-474M-11M
Approval No. /dated	0812014APR	Temwell's print name.	K2RB 474M
Work Instruction No.	200812014BD	Date	Dec.04.2008



(3)Electric Charasteric

Item	Specify
Center Freq.(Fo) +/- 0.5 %	474 MHz
Tunable Range:	474±5 MHz
Insertion Loss	Typ. 3.5 dB
-3 dB Bandwidth	Typ. 11 MHz
Sensitivity (Attenuation)	Fo - 50 MHz Typ. 22 dBc
	Fo +50 MHz Typ. 25 dBc
	Fo - ()MHz Typ. dBc
	Fo +()MHz Typ. dBc
Return Loss	Min. 12 dB
Ripple	< 1 dB
Impedance	In / Out : 50 Ω

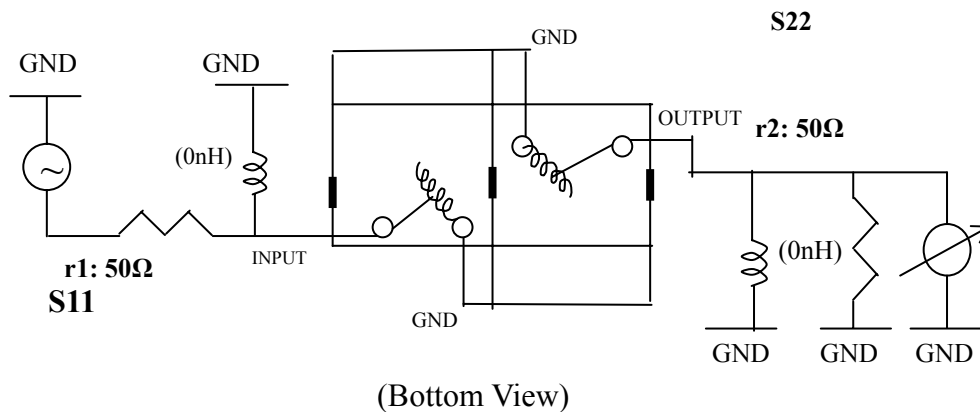
(4)Torque for Tuning Screw > 100gf cm

(5)Temperature Condition:

Operating Temperature	0 ~ +60
Storage Temperature	-20 ~ +70

(6)Input Power > 0.5Watt

(7)Measuring Circuit: Easy to match Impedance S11/S22 50Ω by parallel with about (0nH)/(0nH).

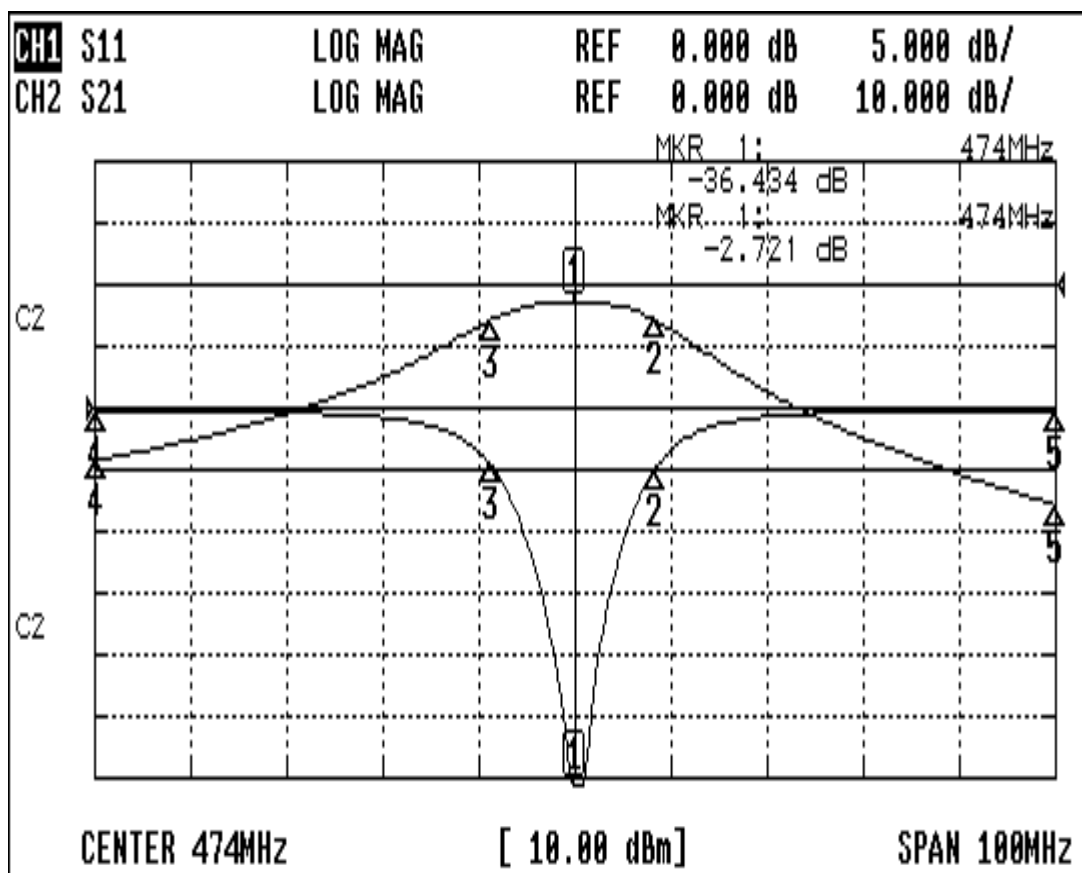


Approval	Supervisor	Designer	Aperture size
C.Y.Chang	C.S.Chang	C.H.Yeh	5R2S(3.8*3.7) (5HW024LB3)

TEMWELL CORPORATION

Performance-K2RB-474M-11M

200812014BD



CH1 MARKER LIST

1:	474.000MHz	-36.434 dB
2:	482.333MHz	-5.003 dB
3:	465.250MHz	-4.573 dB
4:	424.000MHz	-0.210 dB
5:	524.000MHz	-0.196 dB
6:		
7:		
8:		
9:		
10:		

CH2 MARKER LIST

1:	474.000MHz	-2.725 dB
2:	482.333MHz	-5.741 dB
3:	465.250MHz	-5.760 dB
4:	424.000MHz	-28.489 dB
5:	524.000MHz	-35.610 dB
6:		
7:		
8:		
9:		
10:		